

# TJxx51530000G



TJ xx 51x 3 xxxx G

No. OF POLES  
02: 2 POLES  
24: 24 POLES

Color

- 0 Black (RAL9005)
- 2 Red (RAL3001/D)
- 3 Orange(RAL2011/P)
- 4 Yellow(RAL1018/A)
- 5 Green(RAL6018/T)
- 6 Blue (RAL5015/A)
- 8 Grey(RAL7035/D)
- 9 White(RAL1102)
- C Green(RAL6018/U)

G RoHS compliant (lead-4%) In copper Alloy

000 0 Standard @ Logo  
000 A Standard ANY Logo  
0091 Standard ANY Logo  
Any special item by customer request, please contact sales department.

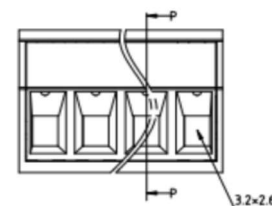
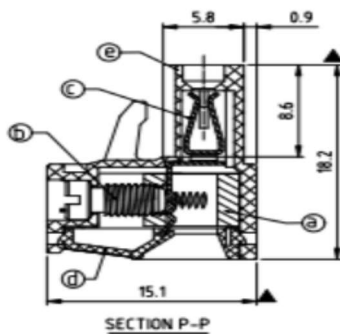
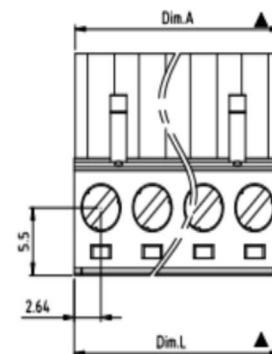
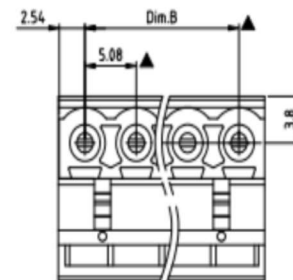


Pitch	5.08 mm
Poles	2 P a 24 P
Rated	300V 20A
Wire	

Borna acodada paso 5.08 mm circuito impreso

### Electrical

Safety category:	cULus
Voltage rating:	300V
Current rating:	20 A
Wire range:	2.5 mm <sup>2</sup>
Solid wire(AWG):	12 - 24
Stranded wire(AWG):	12 - 24
Torque:	5.0
Screw:	M3
Wire strip length:	7 a 8 mm
Withstanding Voltage:	1.6 KV
Safety Approval:	<b>cULus</b>
Operating temperature:	-40°C to +115°C
Soldering temperature:	



SERIE TJ