



AFYSC211AV51 1D 2D Barcode Scanner

Classification Barcode Scanner

Interface USB ,TTL / RS232 ,RS485

Voltage DC 5 Vcc +/- 10%

Operating Current 190 mA

General parameter

Scan performance	imaging sensor		640*480CMOS global exposure
	lighting		White Light LED (6500K)
	Read code system	2D	PDF 417, Data Matrix, QR Code
		1D	Interleaved 2 of 5, ISBN, Code 93, Code 11, UCC /EAN-128 GS 1 Databar, Matrix 2 of 5, Industrial 2 of 5, Code 128, EAN-13, EAN-8, Code 39, UPC-A, UPC-E, Codabar, Standard 2 of 5, MSIPI essey, GS 1 composite code, class
	Reading accuracy *		≥5mil
	Typical reading depth of field *	Alipay	30-150mm (front, screen 5.2 inches)
		Bus code	50-120mm (front, screen 5.2 inches)
	Symbol Contrast *		≥20%
	Bar code sensitivity **		Tt ± 55°, deflect ± 55°, spin 360°
	Field of view Angle		Horizontal 60°, vertical 48°
Mechanical / electrical parameters	communication interface		TTL /RS -232,USB,RS485
	Appearance size (mm)		64.8(W)×60.5(D)×32.7(H)mm
	weight		20g
	working voltage		5V DC ± 10% (reserved 3.3-16V wide voltage input)
	rated current		(Typical value) less than 190mA (5V input) less than 100mA (10V input)



enviromental parameter	working temperature	-20°C~+60°C
	storage temperature	-40°C~+70°C
	Working humidity	5%~95% (No-condensation)
	Environmental light	0~100,000L UX
Thermal impact resistance performance	maximum temperature	60 °C (140 °F)
	minimum temperature	-20 °C (-4 °F)
	cycle index	High temperature for 30 minutes; low temperature for 30 minutes
	period	24
Mechanical impact resistance performance	vibrate	2000 G , 0.7 ms , half sinus, 3 axes
	drop	Can withstand 1.2 meters to fall to the concrete floor

** Test conditions: ambient temperature =23°C; ambient illumination =300 LUX incandescent; use custom test sample code*

*** Test conditions: test distance = (minimum depth of field + maximum depth of field) / 2; ambient temperature =23°C;*

Environmental illumination =300 LUX incandescent 2D: QRCODE; 10Bytes; minimum bar

Null width =15mil; PCS =0.8;

Note; Specification is subject to change without notice

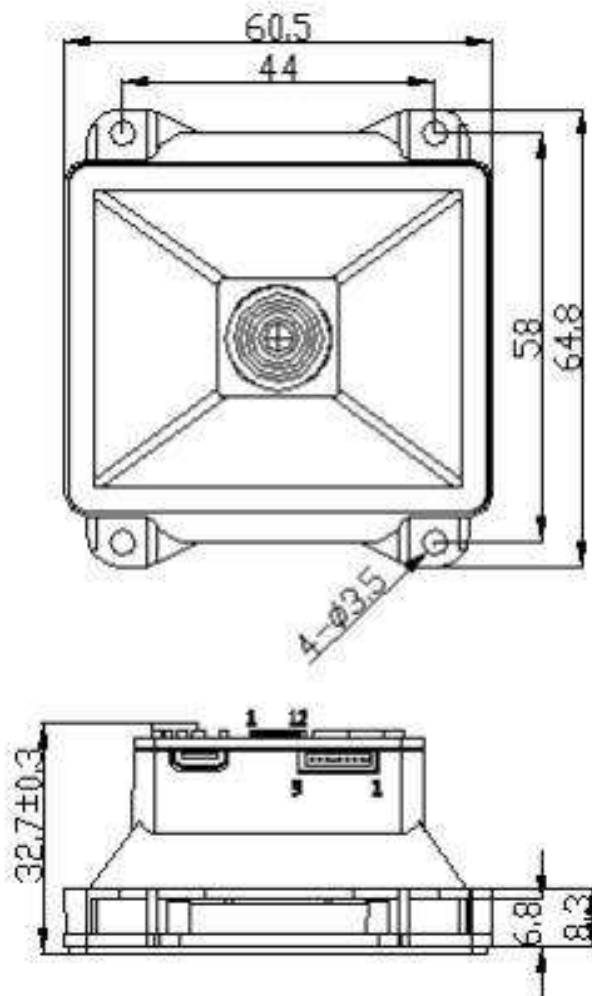


PRODUCT SIZE

two. Product size chart:

Appearance dimensions drawing (unit: mm, error $\pm 0.2\text{mm}$)

Mechanical size diagram



12Pin line / 9Pin connection schematic diagram

